



Camtraptions PIR v4 Manual

(extract)



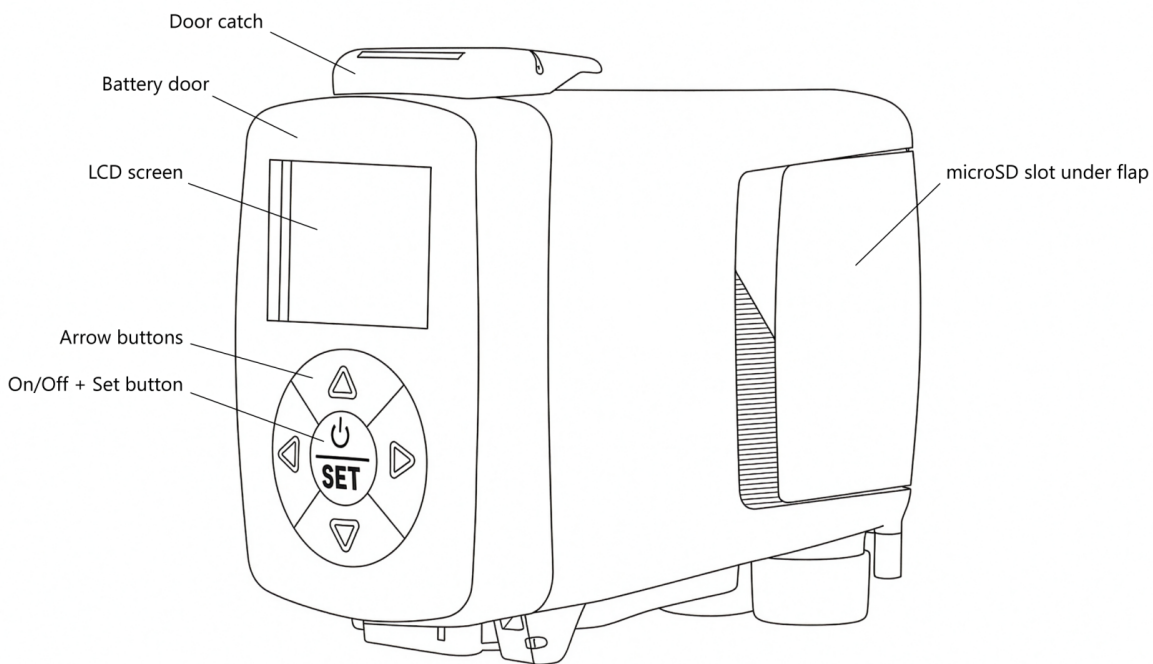
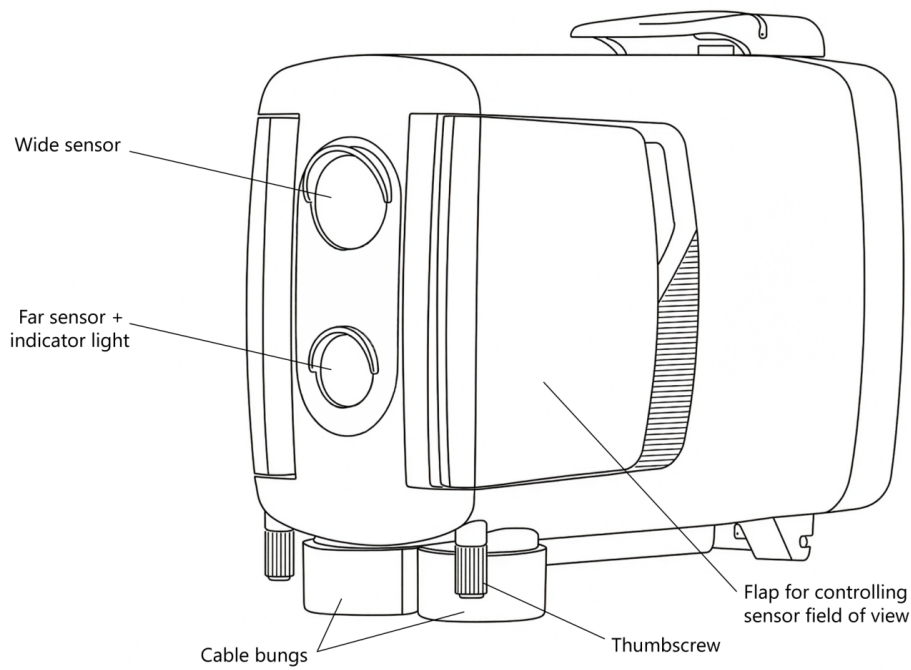
Overview of the Sensor

The Camtraptions PIR Sensor v4 features a thoughtfully designed layout that balances functionality, durability, and ease of use. On the **front**, there are **two motion sensors**—one equipped with a **built-in indicator light** that is enabled during setup to show when motion is detected.

On the **back**, you'll find the **display screen and keypad**, which includes the **power (on/off) button**. The **rear side** is also the **battery door**, which can be opened using the **catch on the top** to access the internal battery compartment.

The **underside** of the unit includes **dual tripod mounting sockets** for secure installation, as well as the **wired output socket** and **DC power input**, both protected by **weather-sealed rubber cable bungs**.

On the **sides** of the sensor are **adjustable flaps** that can be used to limit or refine the field of view of the sensors for more precise control. Beneath the **right-hand flap** is a small **bung** that covers the **microSD card slot**, which is used for firmware updates.



The information in this manual corresponds to firmware version 1.19. You can check the firmware version, and update it if necessary, by following the procedures on the [firmware update](#) page.

This manual extract applies to firmware version 1.19.

Exported from docs.camtraptions.com.