



# Camtraptions Quick Deploy Camera Trap Manual (*extract*)

## Assembly Instructions

Information on how to assemble the Quick Deploy Camera Trap system.

- [Assembling the Quick Deploy Frame](#)
- [Mounting the Camera Housing](#)
- [Connecting the Cable System \(wired version only\)](#)

# Assembling the Quick Deploy Frame

Before beginning assembly, lay out all Quick Deploy Frame components on a clear surface. The initial assembly requires the supplied 2.5 mm and 4 mm Hex Keys, plus an adjustable wrench or thin nose pliers (not supplied). Do not fit the camera housing, flashes or PIR motion sensor until the frame has been fully assembled and checked for stability.

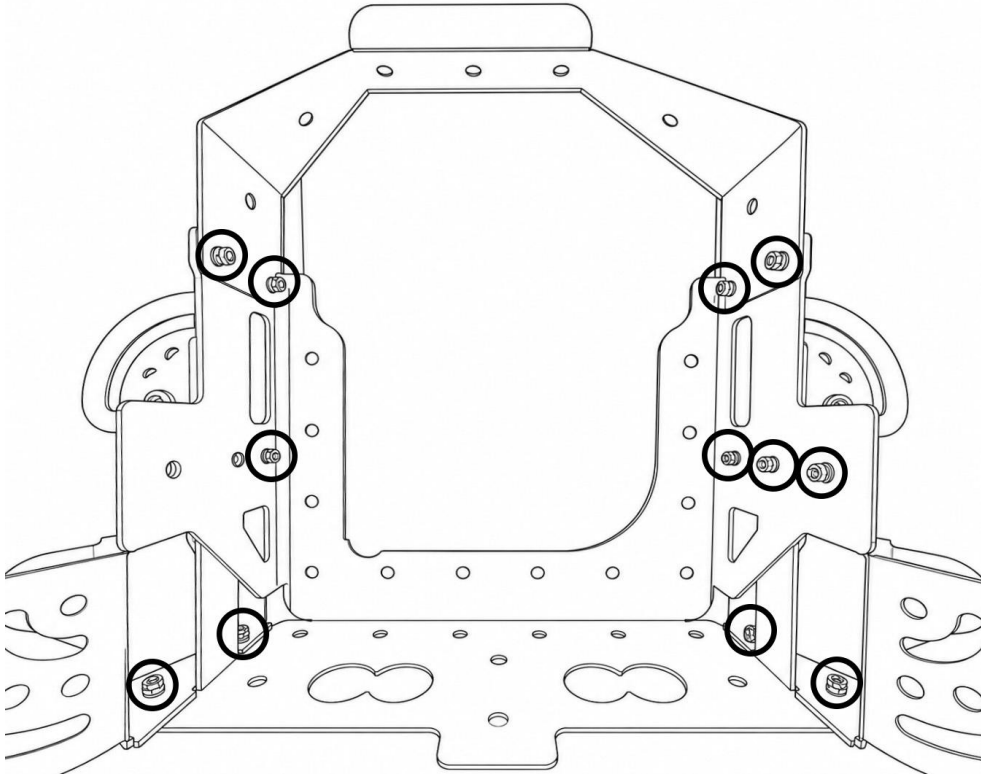
## 1. Assemble the Main Frame

Place the Frame Base on a flat surface with the front of the Frame Base facing down.

As you are look down on the inside of the Frame Base, position the Left Bracket on the right-hand side of the Frame Base and the Right Bracket on the left-hand side.

Position the Frame Handle between the upper ends of the Frame Base and the Left and Right Brackets. The ends of the Frame Handle should sit on the **inside** of the Frame Base.

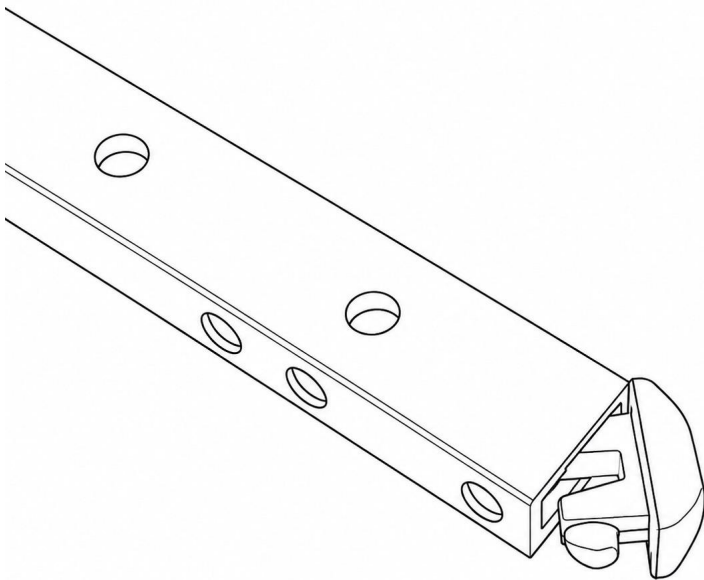
Use the twelve M4 10 mm Cap Head Screws and twelve M4 Nuts to fasten the Left Bracket and Right Bracket to the Frame Base and Frame Handle. The twelve fastening points are shown in the image below and they correspond to the twelve smaller-diameter holes in the frame parts. Tighten the fixings using the supplied 2.5 mm Hex Key and an adjustable wrench or thin-nose pliers to hold the nuts securely while you tighten the screws. Position the nuts on the inside of the frame - the screws should fasten inwards from the outside.



Check that the main frame is fully secure before continuing.

## 2. Fit the Legs

Push one Rubber Foot onto the end of each 300 mm Tube. It is recommended to push the Rubber Foot on at an angle rather than trying to squeeze both rubber lugs through at the same time. Make sure the rubber lugs are fully engaged and secure inside the tubes.

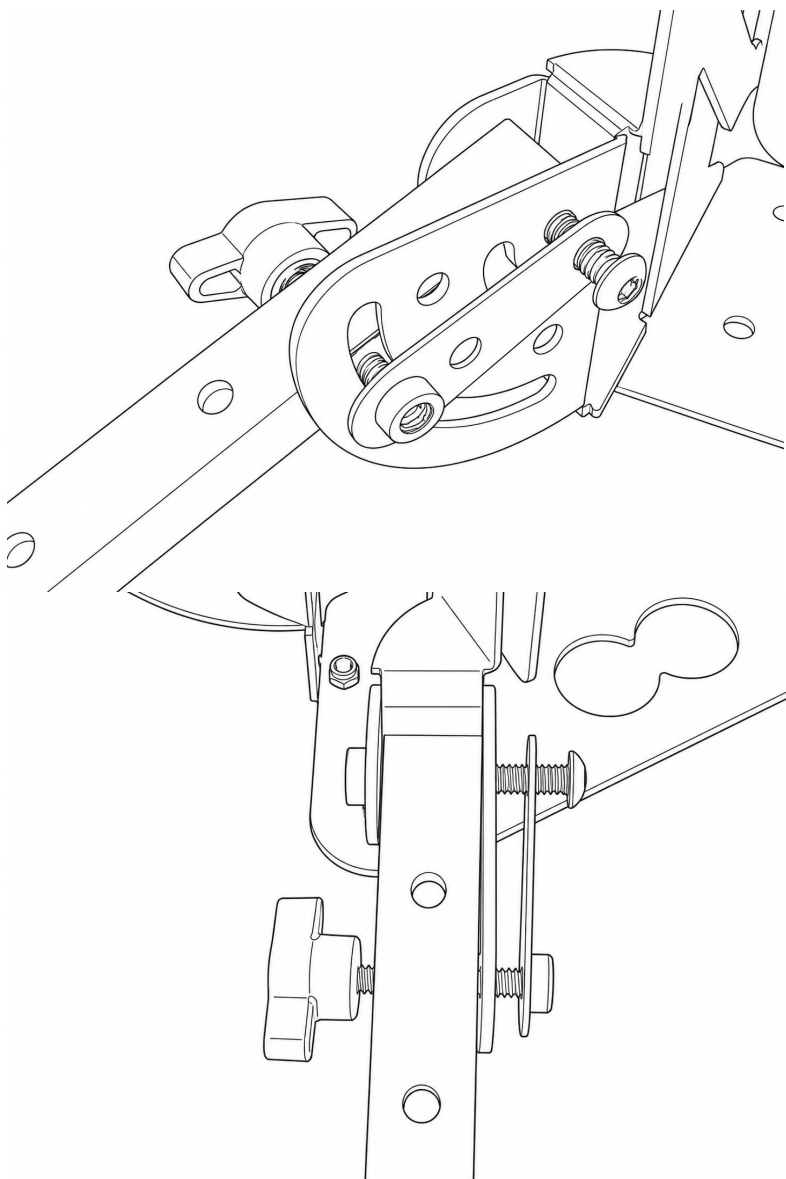


Attach two legs to the Left Bracket and two legs to the Right Bracket using the pivoting assemblies.

For each leg, use:

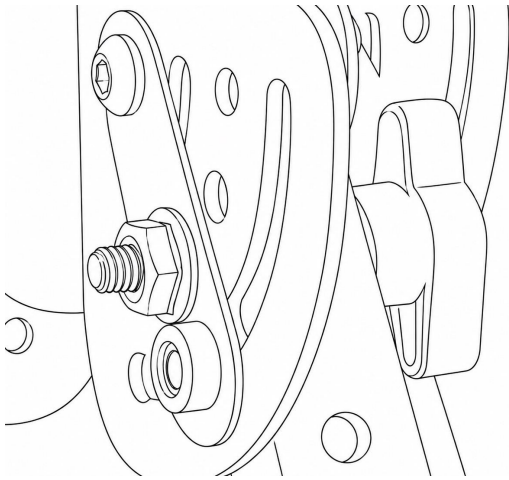
- one 1.25 Inch Button Head Screw
- one Friction Plate
- one 1.25 Inch Thumbscrew.

Fit each leg so that it can pivot outwards from the bracket. Tighten the Thumbscrew sufficiently to hold the leg in position while still allowing it to be adjusted during setup. The 1.25 Inch Button Head Screws should be kept loose enough that the leg can freely pivot around it, while the 1.25 Inch Thumbscrew is responsible for securing and clamping the leg in place.



Repeat for all four legs.

Where a more rigid anti-slip assembly is required, fasten the 1.25 Inch Thumbscrews to the supplied Serrated Nuts through the pre-defined holes in the brackets and Friction Plates.



### 3. Fit the Flash Arms

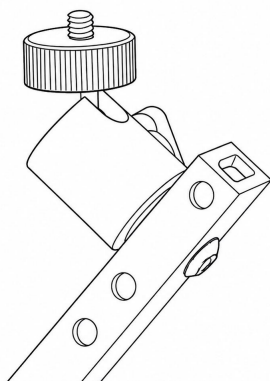
Attach one 400 mm Tube to each side of the frame to create the two pivoting flash arms.

Use one 1.25 Inch Button Head Screw, one Friction Plate and one 1.25 Inch Thumbscrew for each arm.

Position the arms so that they can pivot independently away from the frame. Tighten the Thumbscrews enough to hold their position securely and keep the 1.25 Inch Button Head Screws loose enough that the arm can freely pivot when the Thumbscrew is released.

### 4. Fit the Mini Ball Heads

Attach one Mini Ball Head to the end of each flash arm using a 3/4 Inch Button Head Screw. These Mini Ball Heads will support the two Weatherproof Flash Housings.



Attach the third Mini Ball Head to the Frame Handle using a 5/16 Inch Button Head Screw. This will support the PIR Motion Sensor v4.

Alternatively, the PIR Motion Sensor v4 Mini Ball Head may be mounted on a leg or flash arm using the remaining 3/4 Inch Button Head Screw, if this provides a more suitable sensor position.

Tighten the mounting screws using the supplied 4 mm Hex Key.

## 5. Final Frame Check

Before fitting the Camera Housing, Flash Housings and PIR Motion Sensor v4, check that:

- \* the Frame Base, Frame Handle and both Left and Right Brackets are securely fastened
- \* all four legs are stable and the Rubber Feet are properly fitted
- \* both flash arms are secure
- \* the Mini Ball Heads are securely fitted
- \* no components can move unexpectedly when the frame is lifted or adjusted.

Once assembled, the legs and flash arms can be repositioned in the field using the Thumbscrews.

Support the part being adjusted at all times, loosen only one fastening at a time, and retighten it fully before moving on to another adjustment.

# Mounting the Camera Housing

First, assemble the Camera Housing according to its instruction manual.

Position the fully assembled Camera Housing within the centre of the frame, with the Camera Housing's Tube System facing outwards through the front of the Quick Deploy Frame.

Secure the bottom of the Weatherproof Camera Housing to the Frame Base using two 5/16 Inch Button Head Screws.

Secure the side of the Weatherproof Camera Housing using the two 3/8 Inch Button Head Screws, fastening it to the Frame Base and Right Bracket as applicable.

Tighten all four mounting screws using the supplied 4 mm Hex Key. The Camera Housing should be firmly supported, with no movement when gently tested.

Slight pressure may need to be applied to the parts when inserting the two 3/8 Inch Button Head Screws into the side of the assembly, in order to ensure proper alignment of the holes and to allow the 3/8 Inch screws to run cleanly into the threaded inserts of the Camera Housing.

# Connecting the Cable System (wired version only)

## 1. Prepare the Camera Housing

Open the Weatherproof Camera Housing and locate the four blanking plugs in the cable-entry holes on its underside.

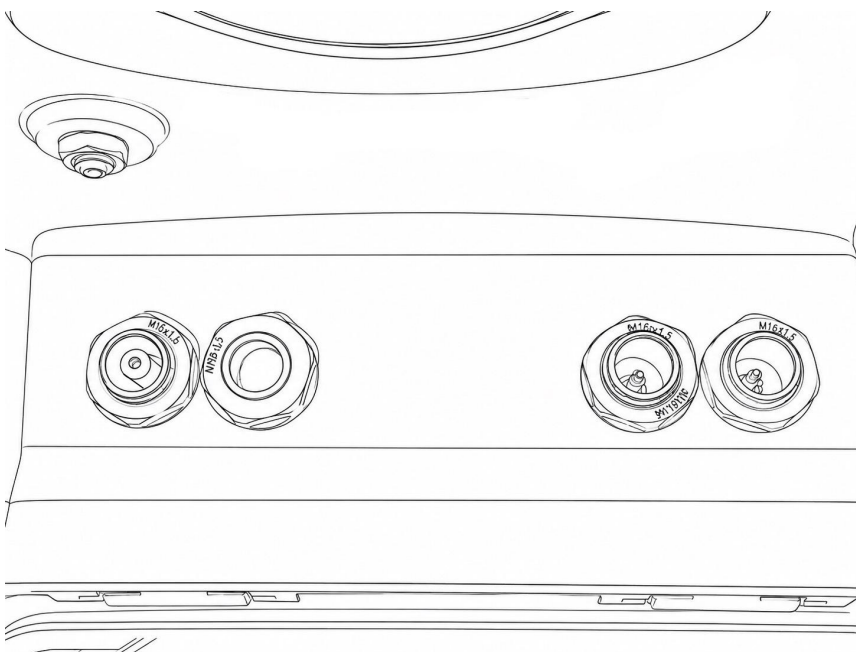
Remove three of the four blanking plugs. Retain the remaining blanking plug in the unused hole, and keep the removed plugs in a safe place for future use.

Fit the following connectors into the open holes on the bottom of the Camera Housing:

- The waterproof female 2.5mm connector on the Waterproof PIR Signal Cable.
- The **male** ends of the two Waterproof Flash Signal Cables.

The nuts of the waterproof connectors must first be removed from the connector threads. Do not remove the rubber washer from the waterproof connector thread. The connectors should be pushed up into the open holes in the floor of the Camera Housing from the outside. The nuts should be re-secured back onto the threads from the inside. Tighten the nuts to apply sufficient pressure and to create a good seal with the rubber washer on the outside of the Camera Housing.

The floor of the Camera Housing should look like this:



## 2. Make the connections inside the Camera Housing

Fit the Flash Hot Shoe Adapter into the flash hot shoe mount of the camera. Make sure that it is oriented correctly. Once in place, secure the Flash Hot Shoe Adapter by turning the collar and locking it fully down.

Connect your Camera Connecting Cable (sold separately) into the shutter release socket of your camera.

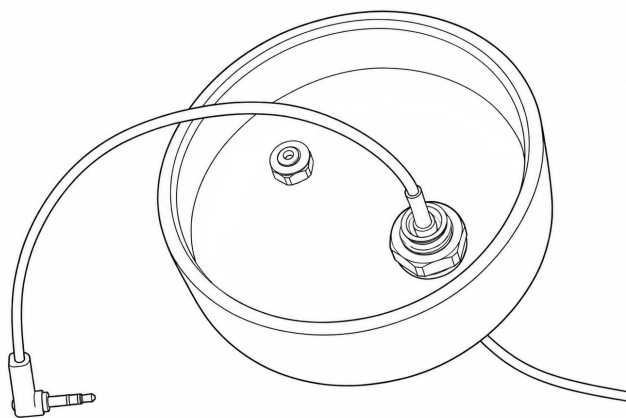
Next, connect the Wired Z Pro Flash Adapter. Each branch of the cable is labelled with what it should be plugged into. Connect the right-angle 3.5mm mono jack into side of the Flash Hot Shoe Adapter. Connect the 2.5mm Female Socket to the 2.5mm male end of your Camera Connecting Cable. Connect the 3.5mm Female end of the silver adapter to the 2 Way Flash Splitter. Connect each of the two female ends of the 2 Way Flash Splitter to the two male waterproof connectors of the Waterproof Flash Signal Cables in the floor of the Camera Housing. Finally, connect the remaining 2.5mm end of the Wired Z Pro Flash Adapter to the waterproof connector of the Waterproof PIR Signal Cable in the floor of the Camera Housing.

### 3. Complete the connections to the Z Pro Flashes

Remove the M16 blanking plugs from the backs of the Flash Housings and keep these safe for future use.

Remove the nuts from the female waterproof connectors of Waterproof Flash Signal Cables. Do not remove the rubber washers from the threads. Insert the threaded ends of the waterproof connectors through the holes in the rear panel of the Flash Housing. Re-apply the nut onto the connector's thread from the inside of the Flash Housing's rear panel. Tighten it with sufficient pressure to create a good seal between the rubber washer and the rear panel of the Flash Housing.

Plug the straight connector of the 20cm Flash Cable into the female waterproof connector now assembled as part of the Flash Housing's rear panel.



Plug the right-angle connector of the 20cm Flash Cable into the 3.5mm sync socket on the side of the Z Pro Flash.

#### 4. Complete the connection to the PIR Motion Sensor v4

Remove the rubber plug from the PIR Sensor v4's signal socket and keep it safe for future use.

Plug in the 2.5mm male end of the Waterproof PIR Signal Cable into the signal socket of the PIR v4. Lock it in place by fastening the cable's lock nut onto the thread of the PIR v4 until the rear side of the lock nut pushes up into the rear side of the cable connector.

---

Exported from [docs.camtraptions.com](https://docs.camtraptions.com).