



Camtraptions Quick Deploy Camera Trap Manual (*extract*)

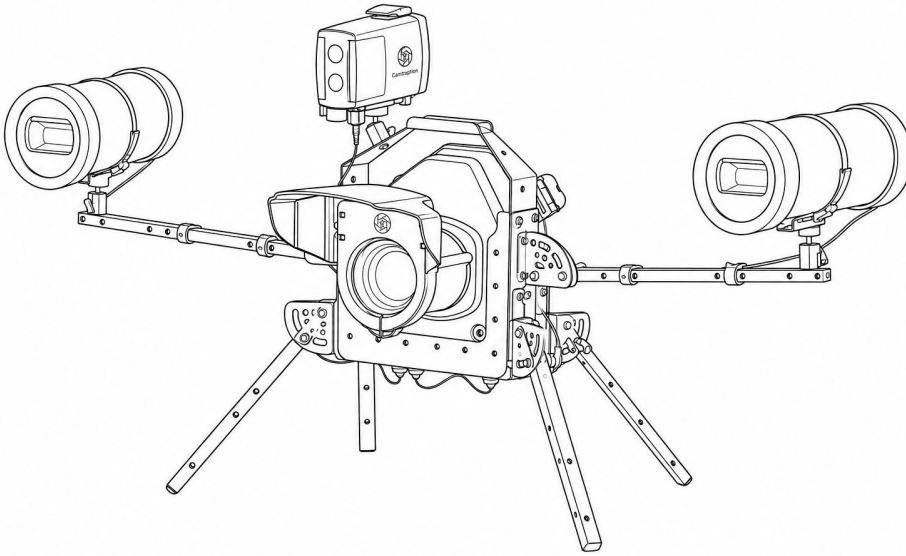
Introduction

The Introduction provides an overview of the Camtraptions Quick Deploy Camera Trap — explaining the purpose of the system, the differences between the Wireless and Wired configurations and providing important safety notices.

This manual covers the Quick Deploy Camera Trap system as a whole, including its components, configurations and assembly. It is intended to be read alongside the individual product manuals for the Camtraptions PIR Motion Sensor v4, Weatherproof Camera Housing, Weatherproof Flash Housings, Z Pro Flashes and, for the Wireless version, Camtraptions Wireless Triggers. Refer to these individual manuals for detailed information on operating, configuring, powering and maintaining each product.

- [System Overview](#)
- [Wireless and Wired Configurations](#)
- [Safety Notices](#)

System Overview



The Camtraptions Quick Deploy Camera Trap is a complete, portable camera-trap system for creating high-quality wildlife photographs with a DSLR or mirrorless camera and two off-camera flashes.

It is designed to make camera trapping quicker and more practical in the field. The camera, PIR Motion Sensor and flashes are mounted on a single adjustable frame, allowing the complete setup to be carried into position, refined and redeployed without dismantling the system. This makes it well suited to temporary or long-term setups at locations such as trails, burrows, waterholes and other animal activity points.

At the centre of the system is the Quick Deploy Frame, which supports a weatherproof camera housing, two flashes inside weatherproof housings and a PIR Motion Sensor. Folding legs, adjustable flash arms and compact ball heads allow the camera, sensor and flashes to be positioned independently and securely. All routine adjustments can be made without tools.

When the PIR Motion Sensor detects movement, it triggers the camera and both flashes together. During periods of inactivity, the system remains in a low-power standby state to help maximise battery life. The camera and flashes are designed to wake and fire simultaneously, providing full flash illumination from the first image in a sequence.

Wireless and Wired Configurations

The Quick Deploy Camera Trap is available in Wireless and Wired versions. Both use the same core frame, camera housing, PIR Motion Sensor and dual-flash arrangement. The Wired version uses waterproof signal cables between the sensor, camera and flashes, while the Wireless version uses Camtraptions wireless triggers, allowing the sensor and flashes to be positioned separately from the camera where required.

Safety Notices

The Quick Deploy Camera Trap contains multiple components mounted on an adjustable frame. Take care when carrying, positioning and adjusting the system, particularly when a camera, flashes and batteries are fitted due to the additional weight.

Always support the part of the system you are adjusting before, during and after releasing any thumbscrew, nut or other fastening. Keep fingers clear of moving joints, folding legs and other potential pinch points.

Make adjustments slowly and carefully to avoid injury or damage to the equipment. Adjust one part of the frame at a time. Do not loosen multiple thumbscrews or fastenings simultaneously, as this may allow part of the system to move unexpectedly.

Before leaving the system unattended, check that all clamps, thumbscrews, mounts and legs are securely tightened, and that the Camera Housing, PIR Motion Sensor and Flash Housings are properly supported. Position the system on stable ground or secure it appropriately to prevent it from falling or being dislodged.

Take particular care when working on uneven ground, in wet conditions or at height. Do not place the system where it could create a hazard to people, animals or property.

Use only compatible batteries, cables and accessories, and refer to the individual product manuals for the Camtraptions PIR Motion Sensor v4, Weatherproof Camera Housing, Weatherproof Flash Housing, Z Pro Flash and Camtraptions Wireless Trigger v2 for product-specific safety, battery and operating information.

Exported from docs.camtraptions.com.