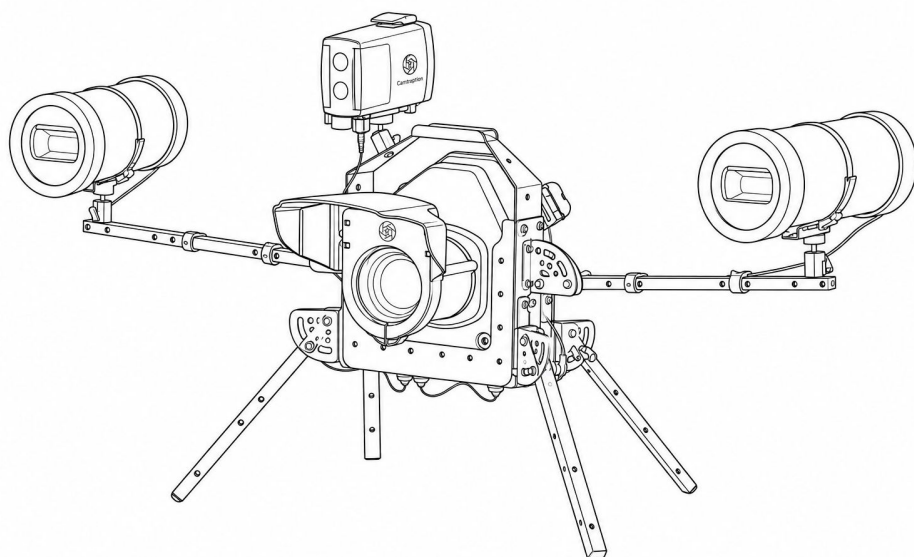




# Camtraptions Quick Deploy Camera Trap Manual (*extract*)

## System Overview



The Camtraptions Quick Deploy Camera Trap is a complete, portable camera-trap system for creating high-quality wildlife photographs with a DSLR or mirrorless camera and two off-camera

flashes.

It is designed to make camera trapping quicker and more practical in the field. The camera, PIR Motion Sensor and flashes are mounted on a single adjustable frame, allowing the complete setup to be carried into position, refined and redeployed without dismantling the system. This makes it well suited to temporary or long-term setups at locations such as trails, burrows, waterholes and other animal activity points.

At the centre of the system is the Quick Deploy Frame, which supports a weatherproof camera housing, two flashes inside weatherproof housings and a PIR Motion Sensor. Folding legs, adjustable flash arms and compact ball heads allow the camera, sensor and flashes to be positioned independently and securely. All routine adjustments can be made without tools.

When the PIR Motion Sensor detects movement, it triggers the camera and both flashes together. During periods of inactivity, the system remains in a low-power standby state to help maximise battery life. The camera and flashes are designed to wake and fire simultaneously, providing full flash illumination from the first image in a sequence.

---

*Exported from [docs.camtraptions.com](https://docs.camtraptions.com).*